



绝佳顿感、滑顺均匀

Tactile or non-tactile feel, perfectly poise

#### Features:

Long electrical life cycles.  
Choice of multiple colored caps.  
Choice of painted colored caps.  
Laser marking service.

#### 产品特点

提供带触感型及无触感型两种选择  
超高亮LED照光，耐久鲜明  
超长距离，高信耐接触，无杂讯  
客制化帽盖选择，喷漆色盖&镭射雕刻服务

#### Applications

Studio equipment.  
Audio/Video products,  
Broadcast system,  
Instrumentation,  
Telecommunications ...etc.

#### 使用范围

音响、影像等录音室器材设备  
广播系统、电信仪器设备



绝佳顿感，滑顺均匀

Tactile or non-tactile feel, perfectly poise

超高亮LED照光，耐久鲜明  
Long electrical life cycles.



超高亮LED照光  
耐久鲜明

超长距离，高信耐接触，无杂讯  
Long distance,  
high contact resistance, no noise



无杂讯



Studio equipment.  
Audio/Video products,  
Broadcast system,  
Instrumentation,  
Telecommunications ...etc.

音响、影像等录音室器材设备、广播系统、  
电信仪器设备

## General Specifications: (产品规格)

Function: OFF-<ON> For Momentary Type, SPST

Contact Rating: 100mA 12V DC

Contact Resistance: 200mΩ Max

Insulation Resistance: 100MΩ Min. 500 V DC

Dielectric Strength: Breakdown is not allowable;  
500V AC for 1 minute

Actuation Force: 250 ± 100gf 180±80gf

Total Travel: 4.5mm ± 0.2mm

Operating Life: 2,000,000 cycles

Operating Temperature: -20° C to 70° C

## Material: (产品材质)



Cover: Polycarbonate(PC)

Actuator: Polyoxymethylene(POM)

Base frame: Polyamide(PA)+GF

Terminal: Brass with gold plating

Moving Contact: Phosphor bronze with gold plating

## LED Specifications:

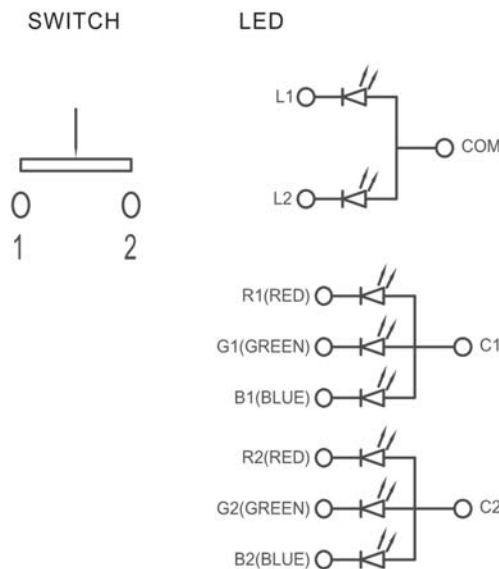
Color	V	Recommended Operating Current	VF	
			Nom	Max
Red	DC 5V	20mA	20mA	1.7V 2.4V
Green	DC 5V	20mA	20mA	1.9V 2.4V
Yellow	DC 5V	20mA	20mA	1.9V 2.4V
Blue	DC 5V	20mA	20mA	3.0V 3.6V
White	DC 5V	20mA	20mA	3.0V 3.6V

## HOW TO ORDER

SERIES	OPERATION	POLE	ACTUATION TYPE	LED COLOR	LED COLOR	CAP TYPE	CAP COLOR	PLATE COLOR	OTHER
PLC	N	1	T	R	N	A	T	W	A
	N=NON-LOCK	1=1 POLE	T=TACTILE TYPE N=NON TACTILE	R=RED G=GREEN B=BLUE Y=YELLOW O=ORANGE W=WHITE F=FULL COLOR F1=FULL COLOR F2=FULL COLOR N=NONE	R=RED G=GREEN B=BLUE Y=YELLOW O=ORANGE W=WHITE F=FULL COLOR F1=FULL COLOR N=NONE	A=12.0mm sq A1=12.0mm sq B=15.0mm sq B1=15.0mm sq B2=15.0 frosting B3=15.0mm sq C1=17.4mm sq C3=17.4mm sq D=17.4x34.8 D1=17.4x34.8 D3=18.4x2.8 RA=16.0mm RO	T=TRANSPARENT R=RED G=GREEN B=BLUE Y=YELLOW O=ORANGE KT=BLACK TRANSPARENT N=NONE	R=RED G=GREEN B=BLUE Y=YELLOW O=ORANGE W=WHITE N=NONE	A=2.5mm B=2.5mm HIGH AI=SW+IC CI=SW+IC CAP SYMBOL

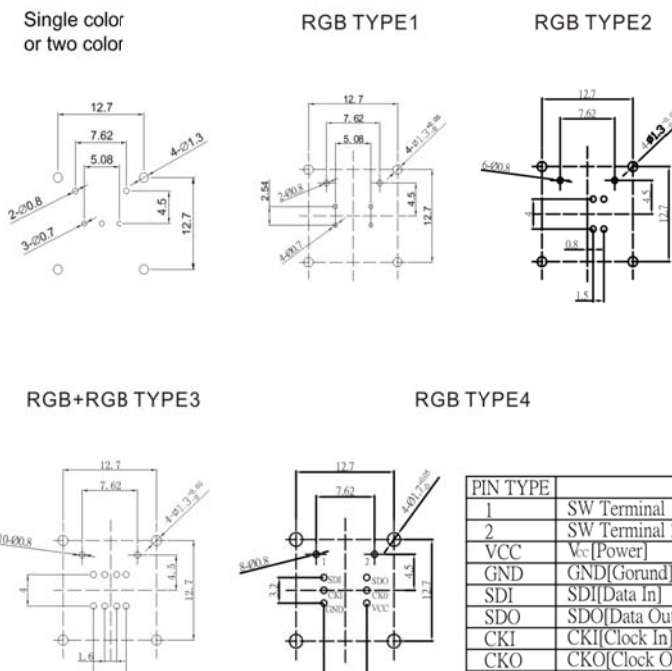
CAP Symbol: Please refer to cap selection for all available symbols on cap surface, and any customization is welcomed

## SCHEMATIC

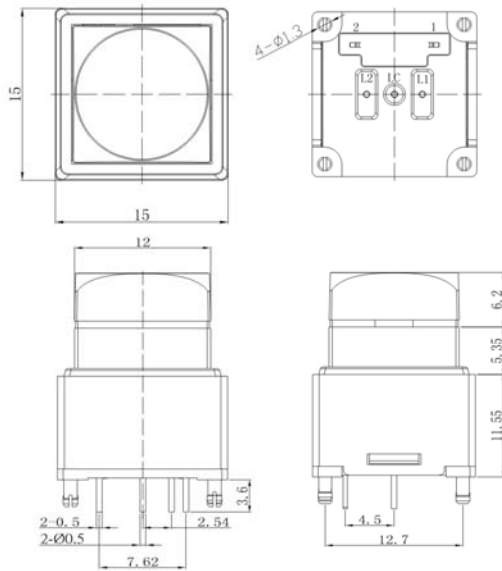


For the specification about the other LED colors, Please contact with sales department.

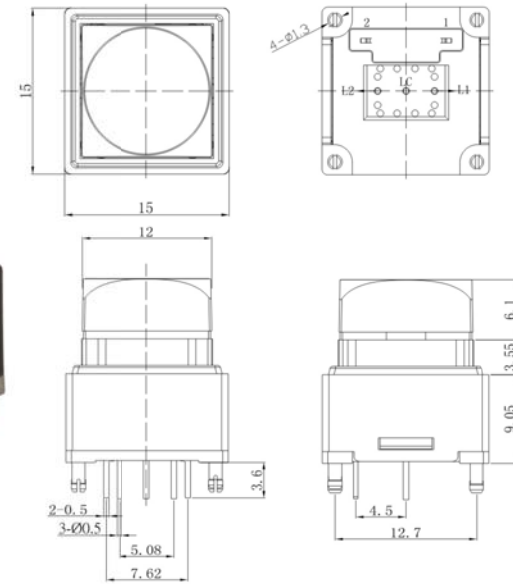
## P. C. B LAYOUT



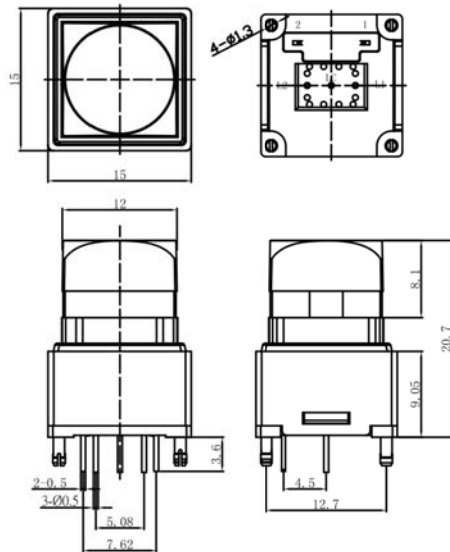
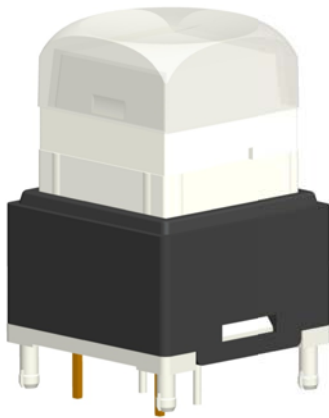
**PLC-N1TYN-ATW**



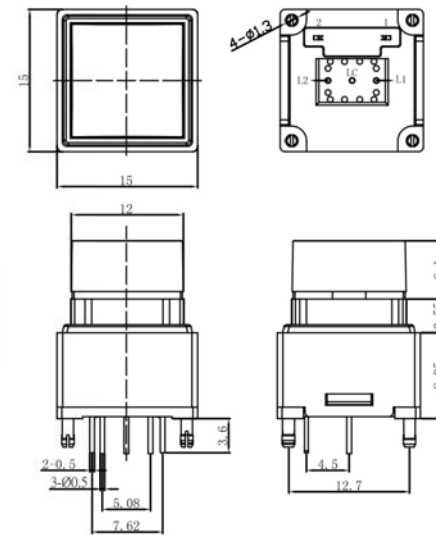
**PLC-N1TRG-ATW-A**



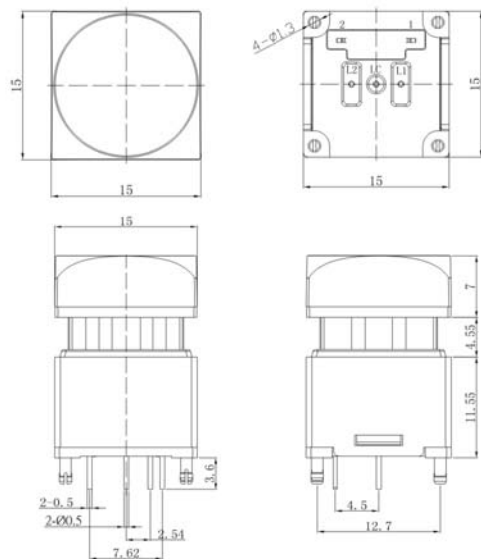
**PLC-N1TRB-ATW-B**



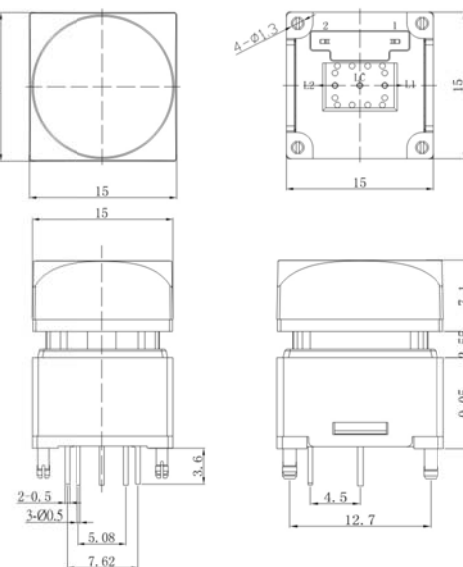
**PLC-N1TRG-A1TW-A**



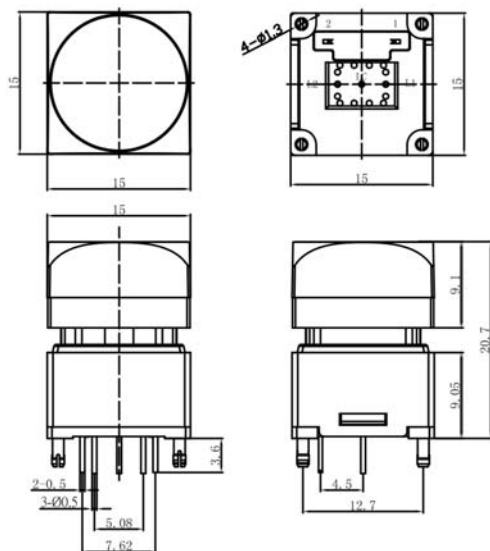
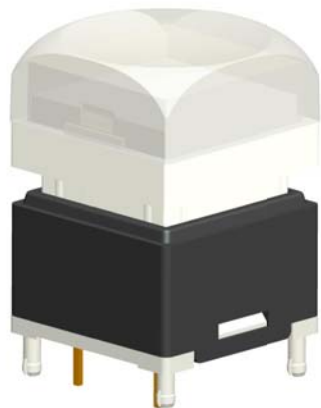
**PLC-N1NRN-BTW**



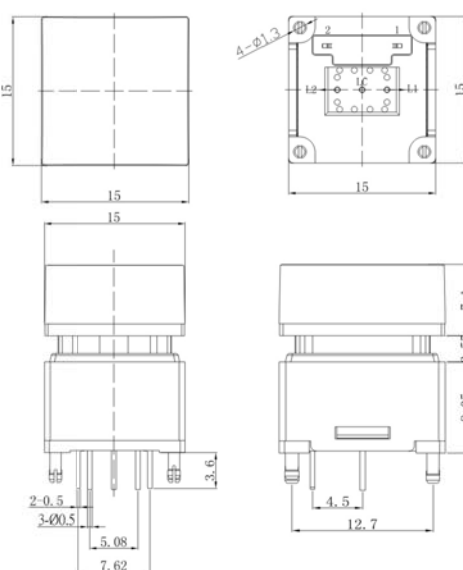
**PLC-N1TGR-BTW-A**



**PLC-N1TRB-BTW-B**

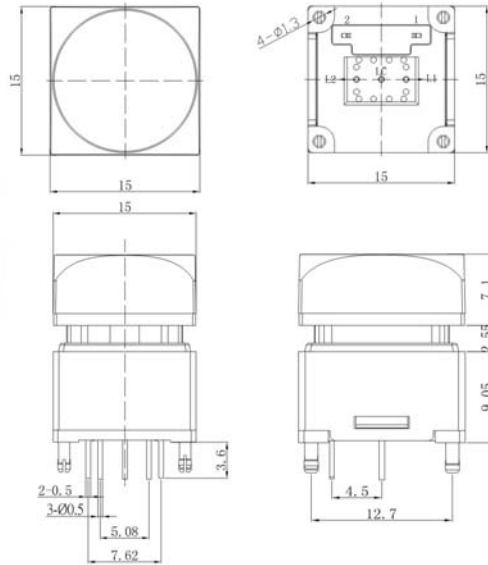


**PLC-N1TGR-B1TW-A**

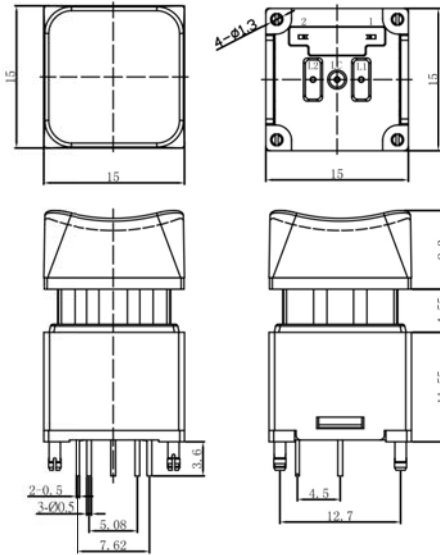


LED ILLUMINATED PUSH BUTTON SWITCH

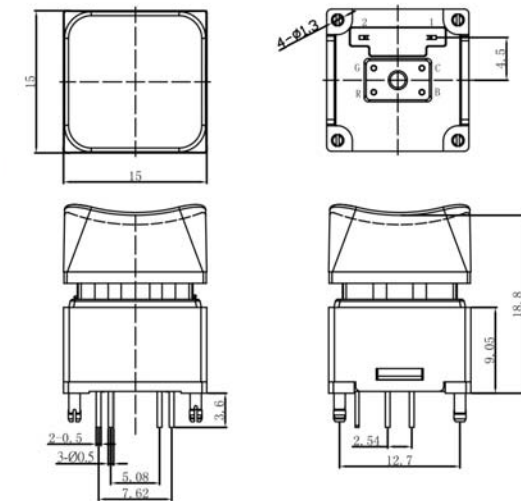
**PLC-N1TRG-B2TW-A**



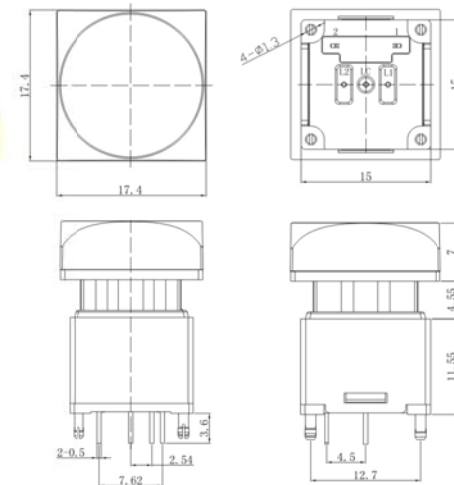
**PLC-N1TRG-B3TW**



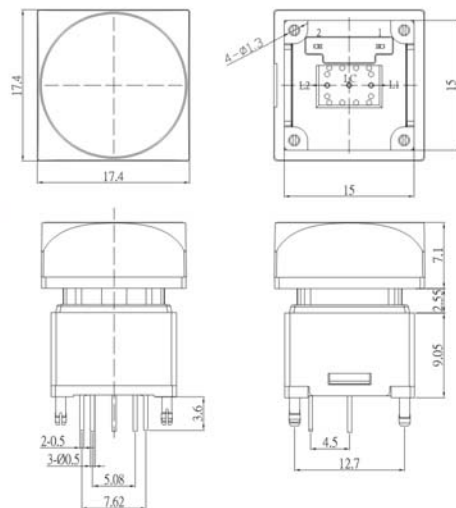
**PLC-N1TFN-B3TW-A**



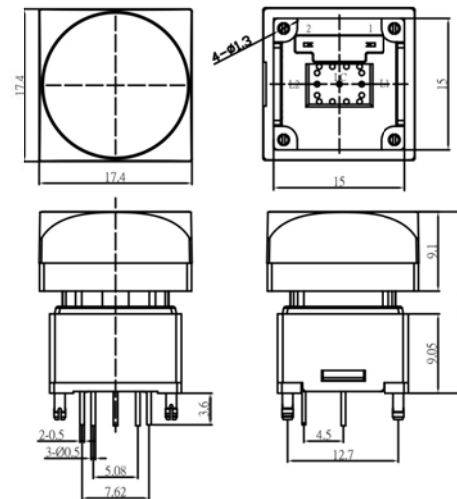
**PLC-N1NYN-CTW**



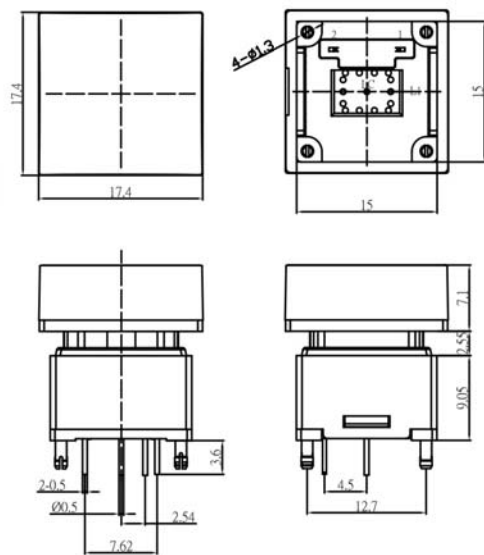
**PLC-N1TGR-CTW-A**



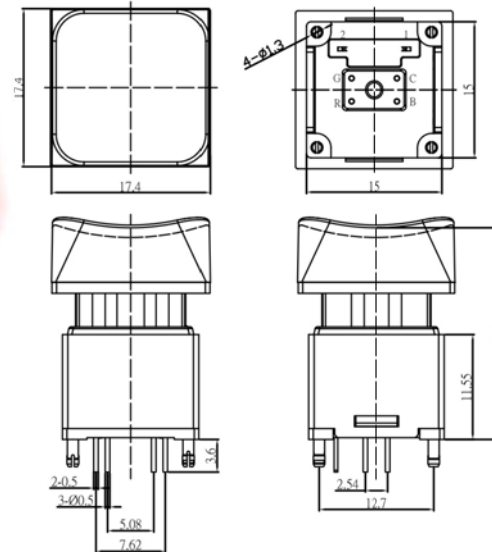
**PLC-N1TGR-CTW-B**



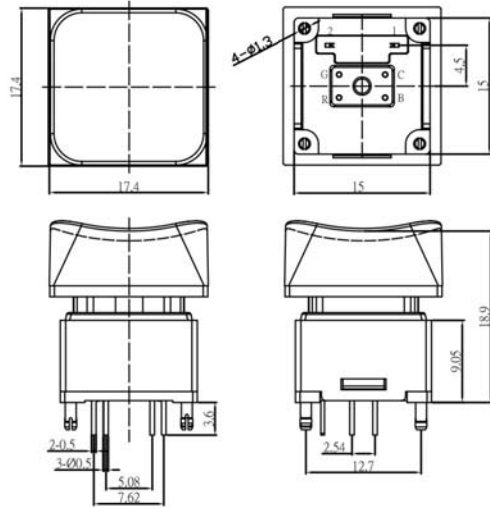
**PLC-N1TGN-C1TW-A**



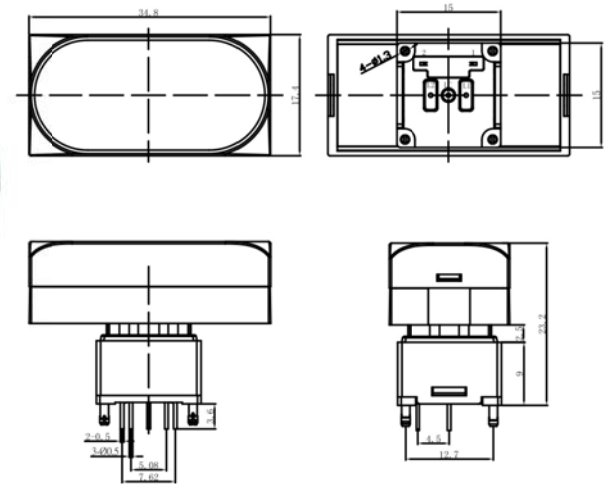
**PLC-N1TFN-C3TW**



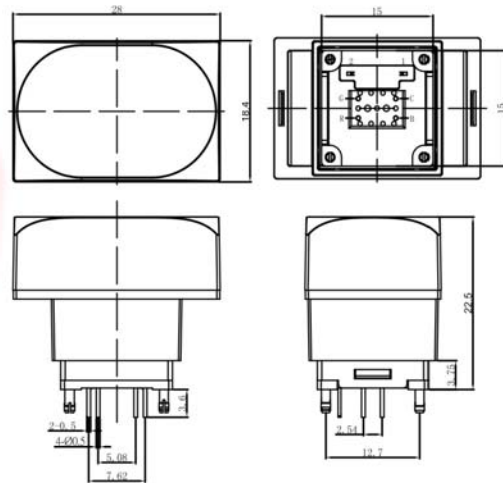
**PLC-N1TFN-C3TW-A**



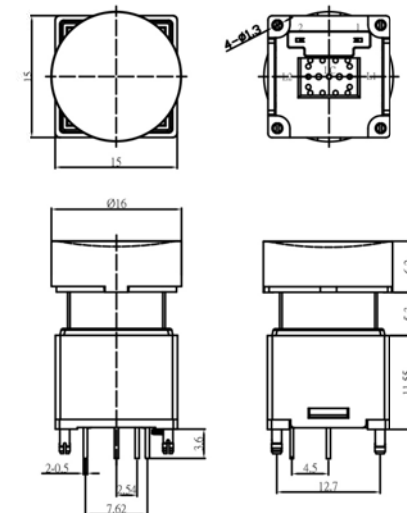
**PLC-N1TGR-D1TW-A**



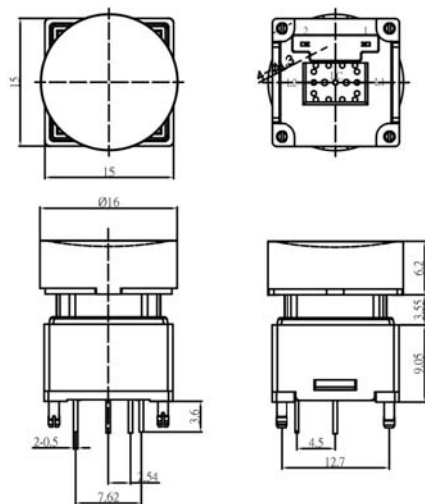
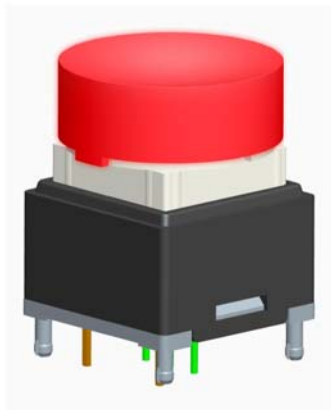
**PLC-N1TFN-D3TW-A**



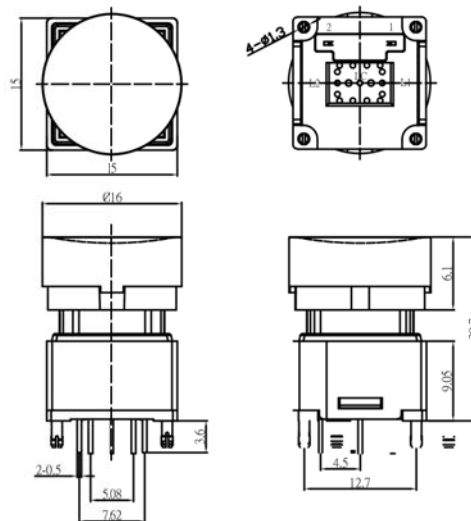
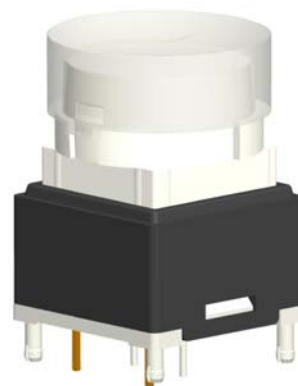
**PLC-N1TRN-RATW**



**PLC-N1TRN-RATW-A**



**PLC-N1TRB-RATW-B**



multiple colorful caps

LED ILLUMINATED PUSH BUTTON SWITCH